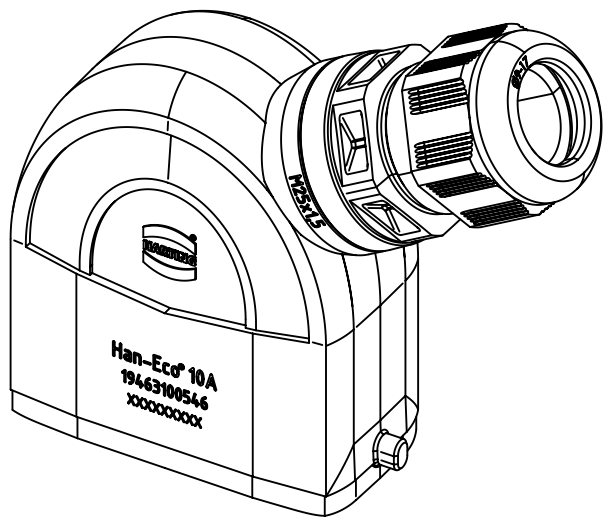
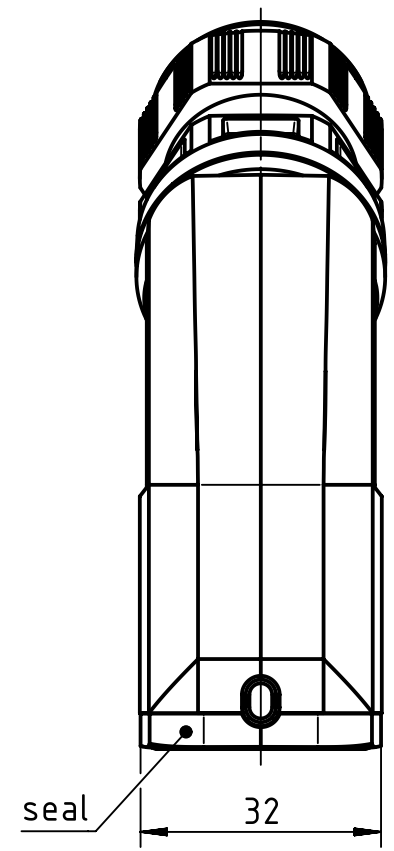
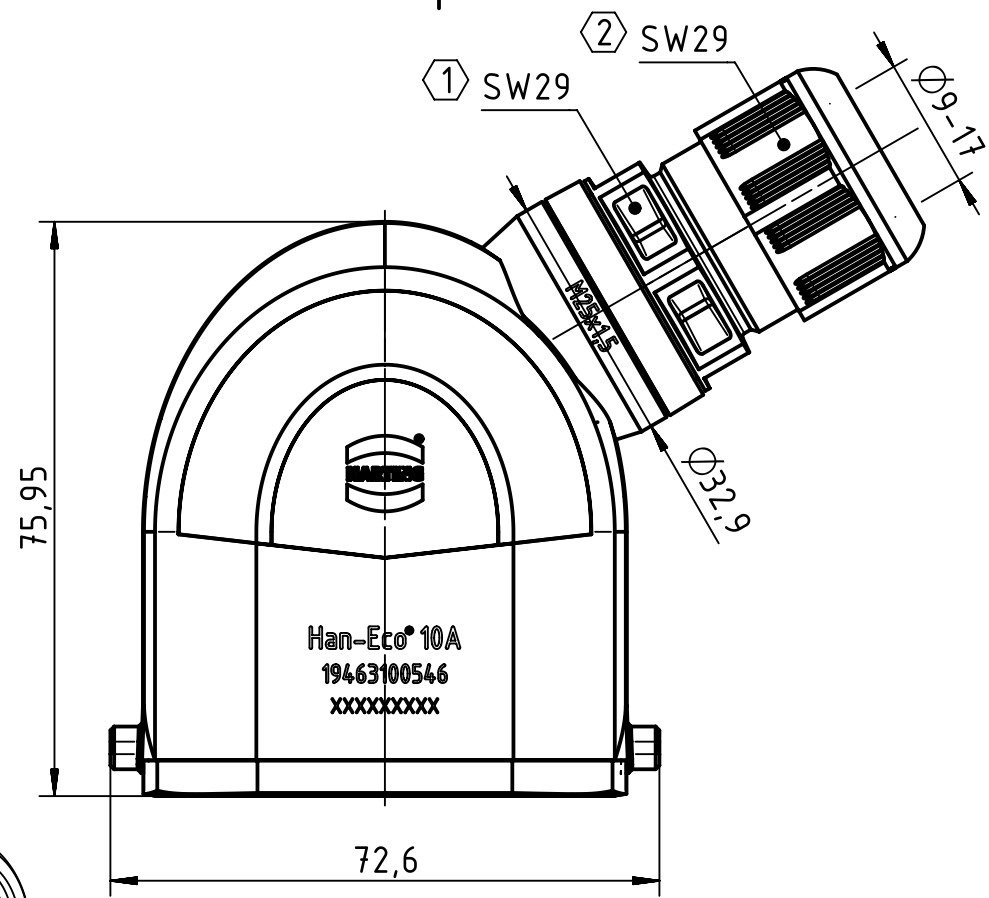
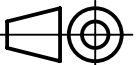



1 2 3 4 5 6

A  
B  
C  
D



- ① tightening torque max. 10Nm
- ② tightening torque max. 4Nm

	All Dimensions in mm Original Size DIN A4		Scale 1:1	Free size tol.		Ref.
	 All rights reserved Department EL PD - DE		Created by MOELLERLI	Inspected by GRIEPENSTROH	Standardisation SCHMIDTM	Sub.
HARTING Electric GmbH & Co. KG D-32339 Espelkamp			Title Han-Eco Outdoor 10A-HSE-M25 w. cable gl.			Date 2016-06-15
			Number 19 46 310 0546			State Final Release
			Type TB			Doc-Key / ECM-Nr. 100613673/UGD/001/B 500000105372
			Rev. B			Page 1/1