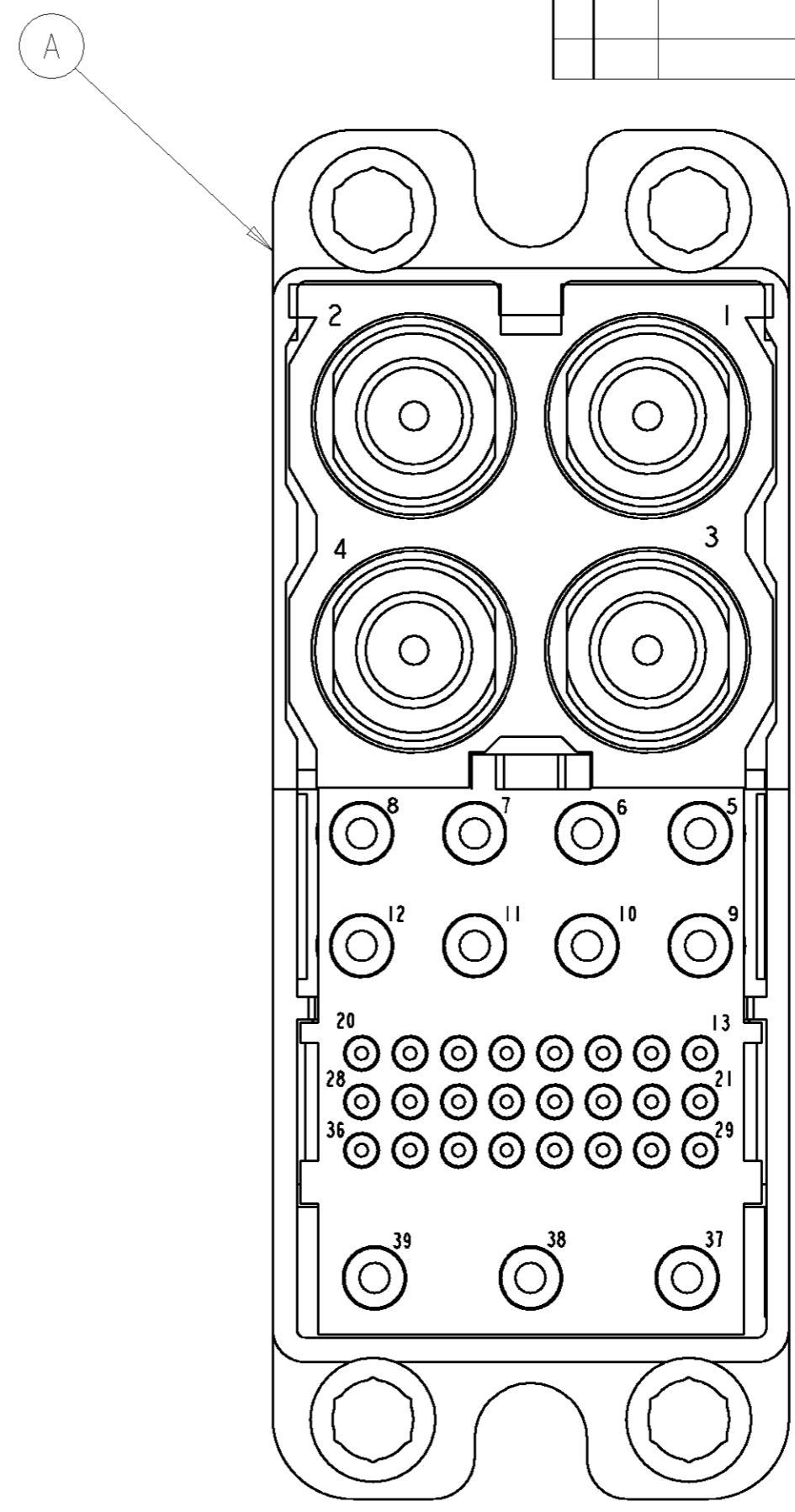
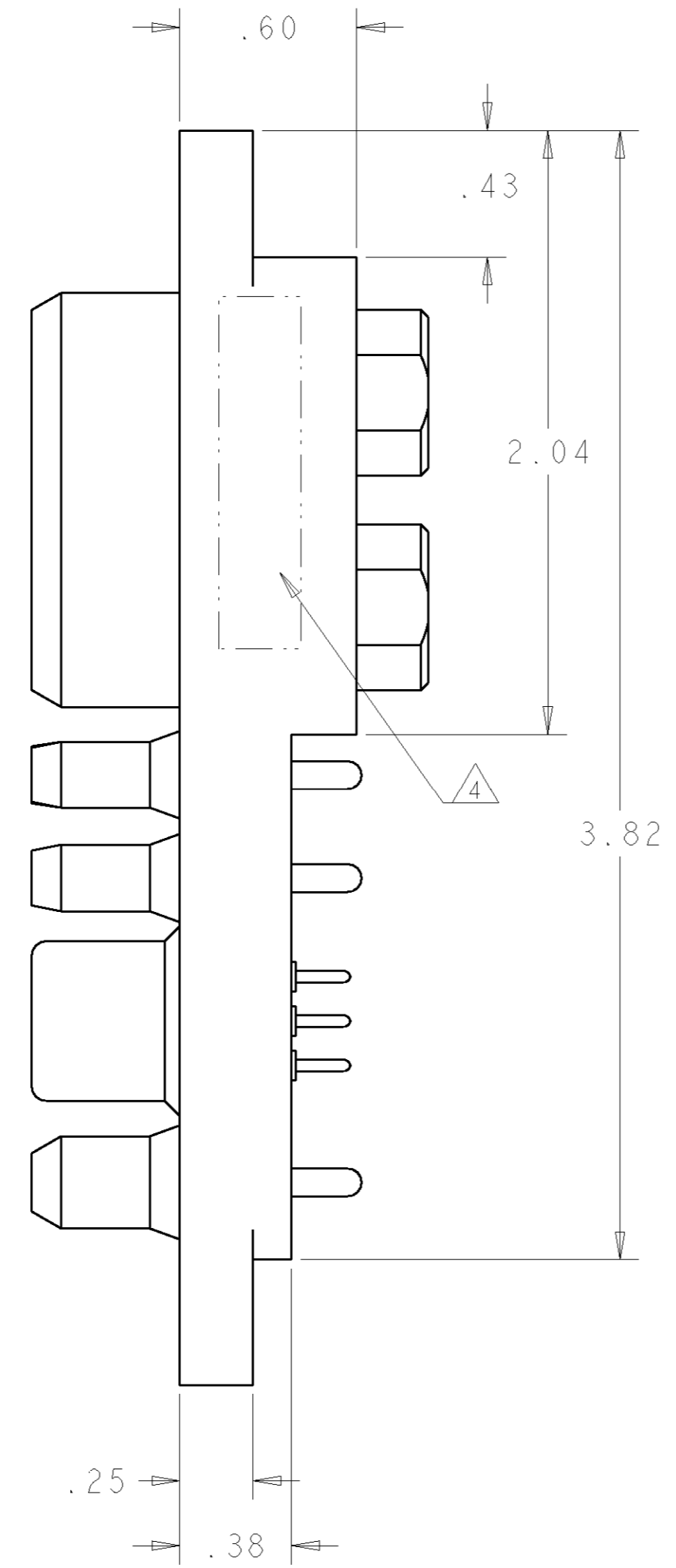
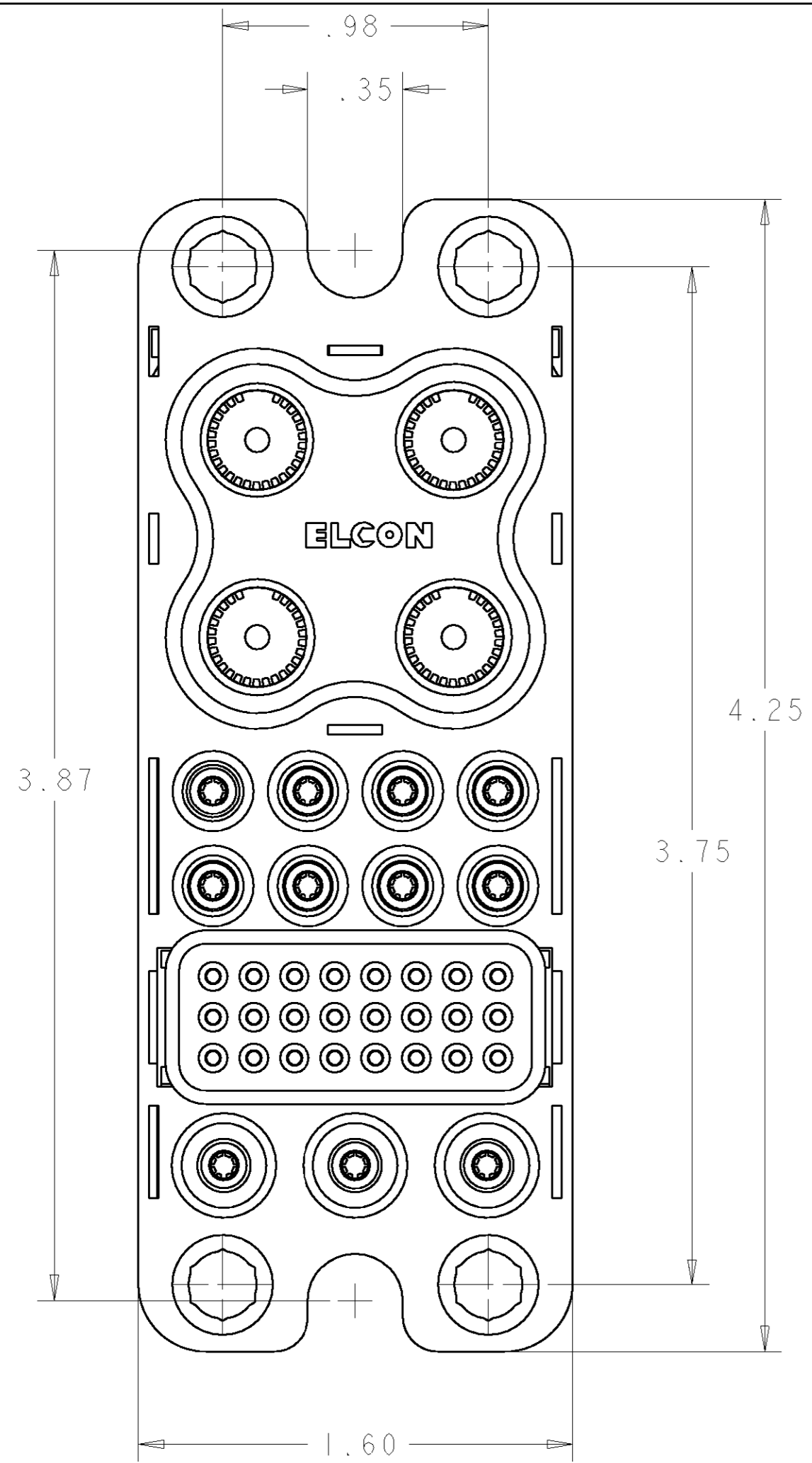


LOC	DIST	REVISIONS			
P	LTR	DESCRIPTION	DATE	DWN	APVD
GP	00	A	NEW RELEASE	12JUL2007	RG DO



SOCKET CONTACT (B)
 SIZE #0

SOCKET CONTACT (D)
 SIZE #12

SOCKET CONTACT (C)
 SIZE #20

SOCKET CONTACT (D)
 SIZE #12

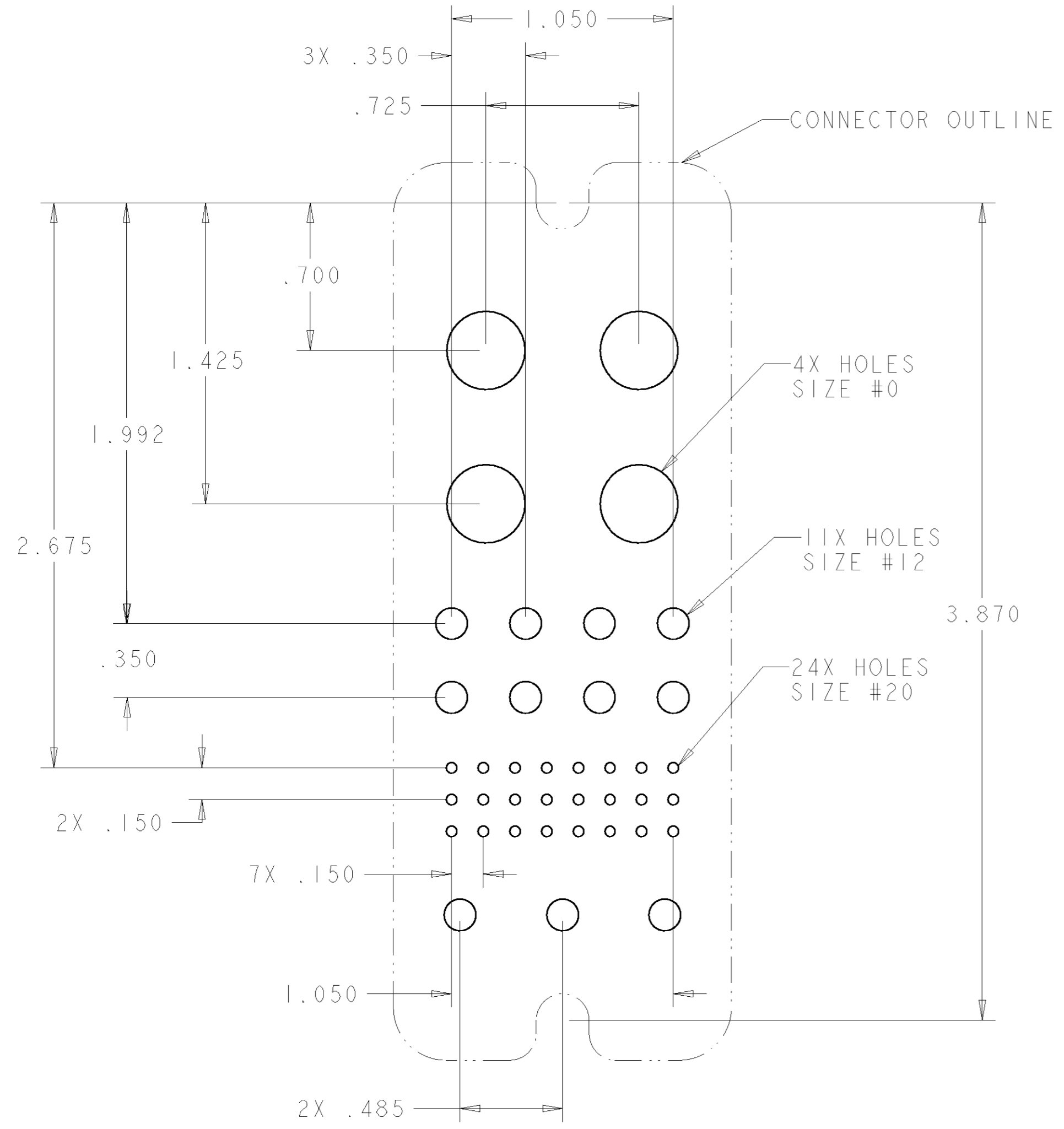
⑤	11	6648374-1	CONTACT, SOCKET, #12, PCB TAIL	D
⑤	24	1648382-1	CONTACT, SOCKET, #20, PCB TAIL	C
	4	6648429-1	CONTACT, SOCKET (PROBE PROOF), #0, M6 X 1. INT. THD.	B
	1	1648578-2	CONNECTOR, SOCKET, NO GUIDE PINS	A
	-1	PART NUMBER	DESCRIPTION	ITEM

ELCON **DOUBLE DRAWER**

<small>THIS DRAWING IS A CONTROLLED DOCUMENT FOR TYCO ELECTRONICS CORPORATION IT IS SUBJECT TO CHANGE AND THE CONTROLLING ENGINEERING ORGANIZATION SHOULD BE CONTACTED FOR THE LATEST REVISION.</small>		DWN R. GRZYBOWSKI 26 JUN 07 CHK D. ORRIS 26 JUN 07 APVD S. FLICKINGER 26 JUN 07	Tyco Electronics Harrisburg, PA 17105-3608
DIMENSIONS: INCHES	TOLERANCES UNLESS OTHERWISE SPECIFIED: 0 PLC ± 1 PLC ± 2 PLC ±.02 3 PLC ±.010 4 PLC ± ANGLES ±.5 FINISH	PRODUCT SPEC APPLICATION SPEC WEIGHT	NAME SOCKET CONNECTOR ASSEMBLY SOLDER TAILS DOUBLE DRAWER
MATERIAL		CUSTOMER DRAWING	SIZE A2 CAGE CODE 00779 DRAWING NO. 1926565 RESTRICTED TO
		SCALE 2:1	SHEET 1 OF 2 REV A

THIS DRAWING IS UNPUBLISHED. RELEASED FOR PUBLICATION 20
 © COPYRIGHT 20 BY TYCO ELECTRONICS CORPORATION. ALL RIGHTS RESERVED.

LOC	DIST	REVISIONS					
GP	00	P	LTR	DESCRIPTION	DATE	DWN	APVD
		-		SEE SHEET 1			



SUGGESTED PC BOARD LAYOUT
 VIEW FROM CONNECTOR MOUNTING SIDE

HOLE SIZE #0
 FINISHED HOLE: $\phi .572 \pm .003$
 DRILLED HOLE: $\phi .5740 \pm .0005$
 COPPER PLATE: .0010 MIN
 TIN PLATE: .0002 MIN THK.
 HOLE SIZE #12
 FINISHED HOLE: $\phi .104 \pm .003$
 DRILLED HOLE: $\phi .1065 \pm .0005$
 COPPER PLATE: .0010 MIN
 TIN PLATE: .0002 MIN THK.
 HOLE SIZE #20
 FINISHED HOLE: $\phi .047 \pm .003$
 DRILLED HOLE: $\phi .0453 \pm .0005$
 COPPER PLATE: .0010 MIN
 TIN PLATE: .0002 MIN THK.

- PART NUMBER CHANGES AND OR DESIGN CHANGES AFFECTING THE INTERCHANGEABILITY REQUIRE PRIOR TYCO ELECTRONICS APPROVAL AND AUTHORIZATION BY REVISION TO THIS DRAWING.
- MATERIAL:
 INSULATOR: THERMOPLASTIC, GLASS REINFORCED, UL 94V-0
 FLAMMABILITY RATED, COLOR: BLACK
 SOCKET CONTACT: TELLURIUM COPPER ALLOY
 RETENTION CLIP: BERYLLIUM COPPER
 CROWN BAND: BERYLLIUM COPPER OR STAINLESS STEEL
- FINISH:
 CONTACTS SIZE #0 & #12 : SILVER PLATED .000200 MIN THK. OVER NICKEL .000040 MIN. THK
 CONTACT SIZE #20 : GOLD PLATE .000030 MIN THK. OVER NICKEL .000040 MIN THK.
 CROWN BAND: GOLD PLATE .000030 MIN THK. OVER NICKEL .000040 MIN THK.

△ ITEMS PROVIDED TO THIS SPECIFICATION TO BE PERMANENTLY IDENTIFIED PER THE FOLLOWING IDENTIFIER:

YEAR WEEK

TYCO ELECTRONICS P/N DATE CODE (e.g. 0216)

XXXXXXXX-X XXXX

△ SOLDER TAIL CONTACTS (ITEMS C & D) ARE INSERTABLE/ NON-REMOVABLE.

ELCON **DOUBLE DRAWER**

<small>THIS DRAWING IS A CONTROLLED DOCUMENT FOR TYCO ELECTRONICS CORPORATION IT IS SUBJECT TO CHANGE AND THE CONTROLLING ENGINEERING ORGANIZATION SHOULD BE CONTACTED FOR THE LATEST REVISION.</small>		DWN R. GRZYBOWSKI 26 JUN 07 CHK D. ORRIS 26 JUN 07 APVD S. FLICKINGER 26 JUN 07	tyco Tyco Electronics Harrisburg, PA 17105-3608
DIMENSIONS: INCHES 	TOLERANCES UNLESS OTHERWISE SPECIFIED: 0 PLC ± 1 PLC ± 2 PLC ±.02 3 PLC ±.010 4 PLC ± ANGLES ±.5 FINISH	NAME: SOCKET CONNECTOR ASSEMBLY SOLDER TAILS DOUBLE DRAWER PRODUCT SPEC: - APPLICATION SPEC: - WEIGHT: -	SIZE: A2 CAGE CODE: 00779 DRAWING NO: C-1926565 RESTRICTED TO: -
MATERIAL: -		CUSTOMER DRAWING	
		SCALE: 2:1	SHEET 2 OF 2 REV A